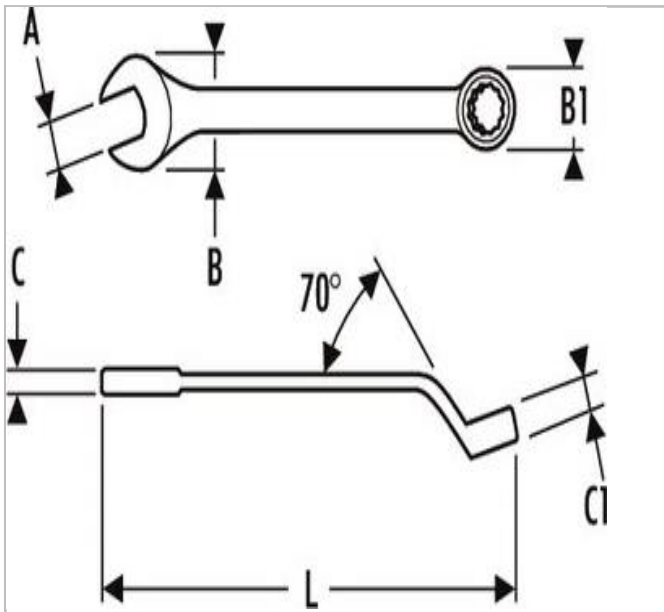



## E117394 | EXPERT 6 x 6 point flare nut wrenches



### Description:

- DIN 3118
- ISO 691
- 12-point OGV® ring angled at 15°.
- Open end angled at 15° from handle axis.
- 6-point heads up to 12 x 14 mm.
- Forged in Chrome Vanadium steel.
- High chrome finish.



|  | E117394 |
|--|---------|
| A [in]   | 17      |
| Length L [mm]  | 213.0   |
| Head Height C [mm]   | 12.0    |
| Head Height C1 [mm]  | 13.0    |
| Head Width B [mm]  | 31.2    |
| Head Width B1 [mm]   | 33.0    |
| Weight [mm]  | 0.182   |
| Diameter [mm]  | 14.0    |
| Diameter D1 [mm]   | 15.0    |