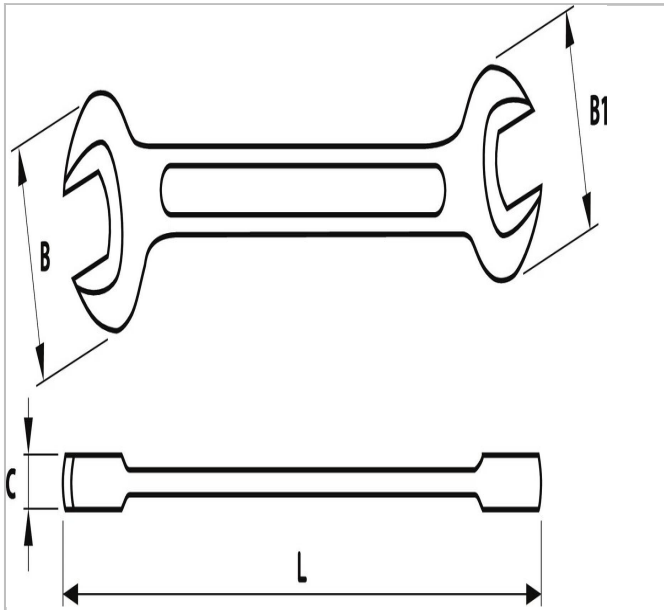



E114001 | EXPERT DIN open-end wrenches



Description:

- DIN 894
- ISO 272
- ISO 1711-1
- ISO 691
- ISO 3318
- Open end with 15° angle with respect to the handle`s axis.
- (30° increment)
- Forged in high grade alloy steel.
- Black phosphate finish.



	E114001
A [mm]	5.5
Length L [mm]	93.0
Head Width B [mm]	13.0
Head Width B1 [mm]	15.0
Weight [Kg]	0.012
Head Height C [mm]	3.0