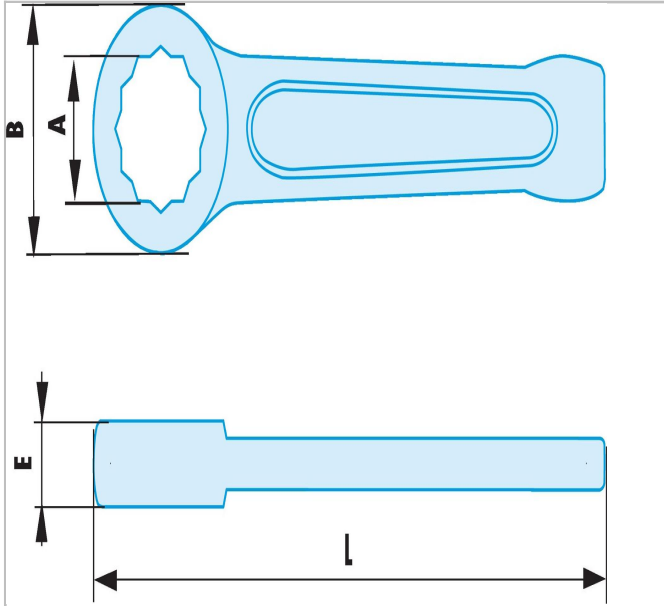



50.90SR | 50.SR - Non sparking metric impact ring wrenches



Description:

- Special non sparking and anti-magnetic Copper-Beryllium alloy.



 FACOM	50.90SR
A [mm]	90.0
Length L [mm]	390.0
Thickness E [mm]	39.0
Head Width B [mm]	142.0
Weight [g]	5500.0