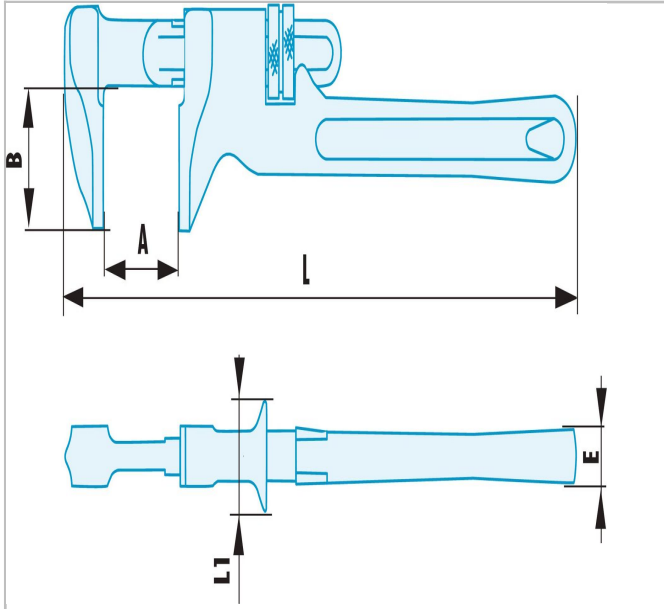



## 134A.12SR | 134A.SR - Non sparking monkey wrenches



### Description:

- Special non sparking and anti-magnetic Copper-Beryllium alloy.



 FACOM	134A.12SR
A [mm]	58.0
Length L [mm]	305.0
Length L1 [mm]	28.0
Thickness E [mm]	15.0
Head Width B [mm]	43.0
Weight [g]	1180.0