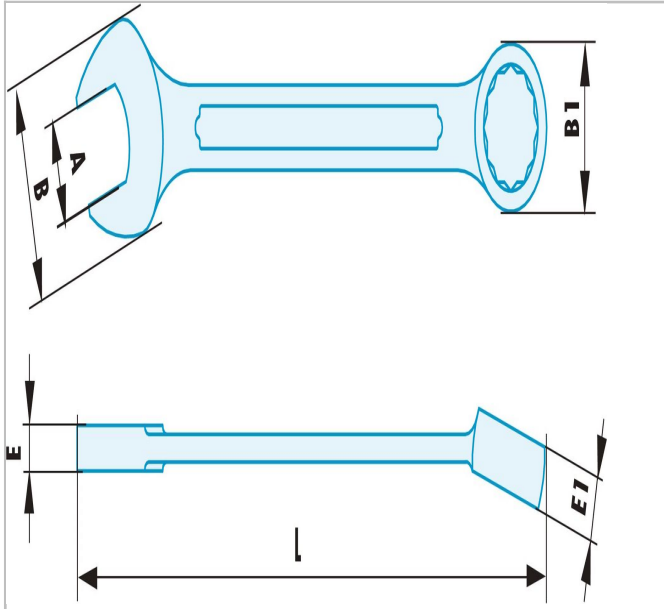



440.38SR | 440.SR - Non sparking metric combination wrenches



Description:

- Special non sparking and anti-magnetic Copper-Beryllium alloy.



|  | 440.38SR |
|--|-----------------|
| A [mm] | 38.0 |
| Length L [mm] | 430.0 |
| Thickness E [mm] | 15.0 |
| Thickness E1 [mm] | 21.0 |
| Head Width B [mm] | 82.0 |
| Head Width B1 [mm] | 64.0 |
| Weight [g] | 1400.0 |