

## 55A.10X11 | 55A - Metric offset-ring wrenches

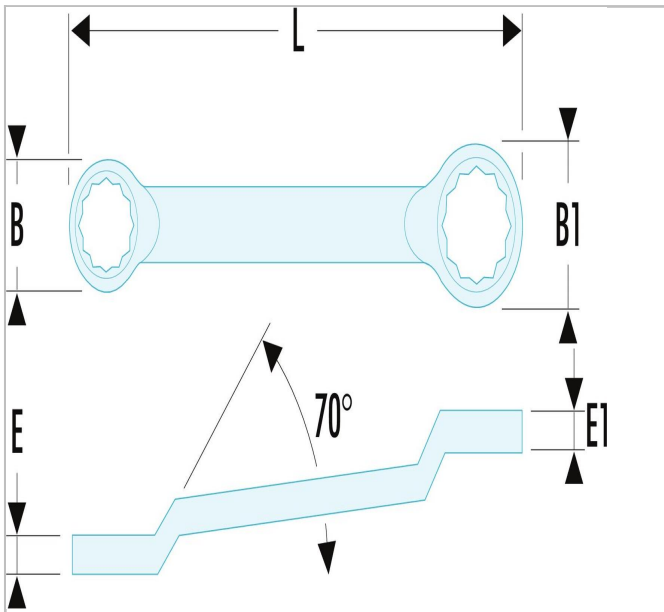



### Standards:

NF ISO 1711-1, NF ISO 691, ISO 1711-1, ISO 691, DIN 838, DIN ISO 1711-1, DIN ISO 691

### Description:

- Offset-ring wrenches: ring offset to clear fingers or obstacles. Ideal for series of nuts.
- OGV® profile with 12-point profile for powerful tightening while protecting the nut.
- Metric sizes: 6 to 50 mm.
- Presentation: satin chrome finish.



	<b>55A.10X11</b>
A [mm]	10x11
Length L [mm]	197.0
Thickness E [mm]	7.5
Thickness E1 [mm]	17
Head Width B [mm]	16.5
Head Width B1 [mm]	18.0