

55A.38X42 | 55A - Metric offset-ring wrenches

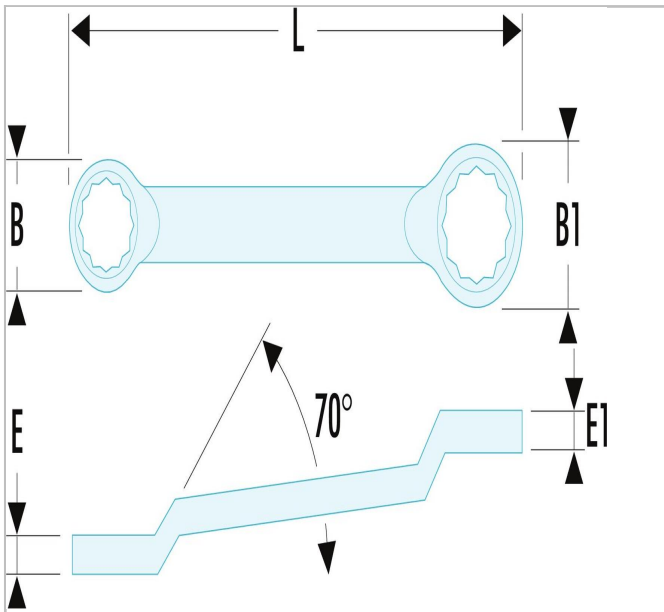



Standards:

NF ISO 1711-1, NF ISO 691, ISO 1711-1, ISO 691, DIN 838, DIN ISO 1711-1, DIN ISO 691

Description:

- Offset-ring wrenches: ring offset to clear fingers or obstacles. Ideal for series of nuts.
- OGV® profile with 12-point profile for powerful tightening while protecting the nut.
- Metric sizes: 6 to 50 mm.
- Presentation: satin chrome finish.



|  FACOM | 55A.38X42 |
|--|-----------|
| A [mm] | 38x42 |
| Length L [mm] | 455.0 |
| Thickness E [mm] | 14.3 |
| Thickness E1 [mm] | 15.7 |
| Head Width B [mm] | 41.5 |
| Head Width B1 [mm] | 46.0 |