

## 55A.24X27 | 55A - Metric offset-ring wrenches

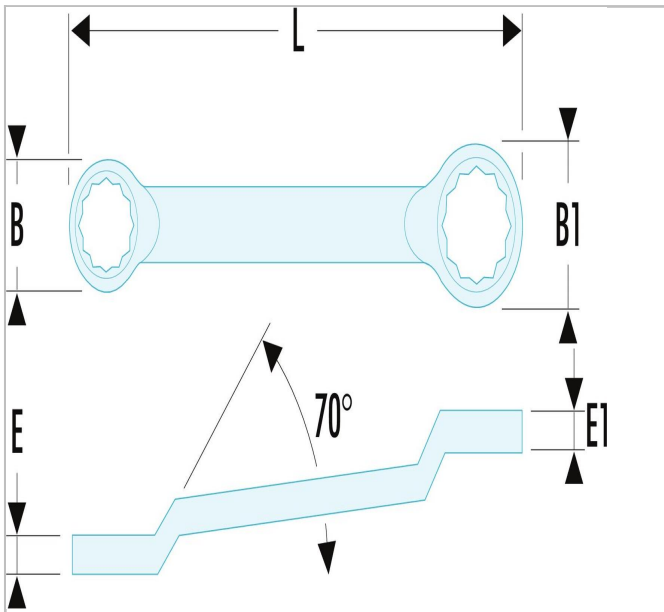



### Standards:

NF ISO 1711-1, NF ISO 691, ISO 1711-1, ISO 691, DIN 838, DIN ISO 1711-1, DIN ISO 691

### Description:

- Offset-ring wrenches: ring offset to clear fingers or obstacles. Ideal for series of nuts.
- OGV® profile with 12-point profile for powerful tightening while protecting the nut.
- Metric sizes: 6 to 50 mm.
- Presentation: satin chrome finish.



|  | <b>55A.24X27</b> |
|--|------------------|
| A [mm]   | 24x27            |
| Length L [mm]  | 328.0            |
| Thickness E [mm]   | 12.7             |
| Thickness E1 [mm]  | 14.3             |
| Head Width B [mm]  | 37.2             |
| Head Width B1 [mm]   | 41.2             |