

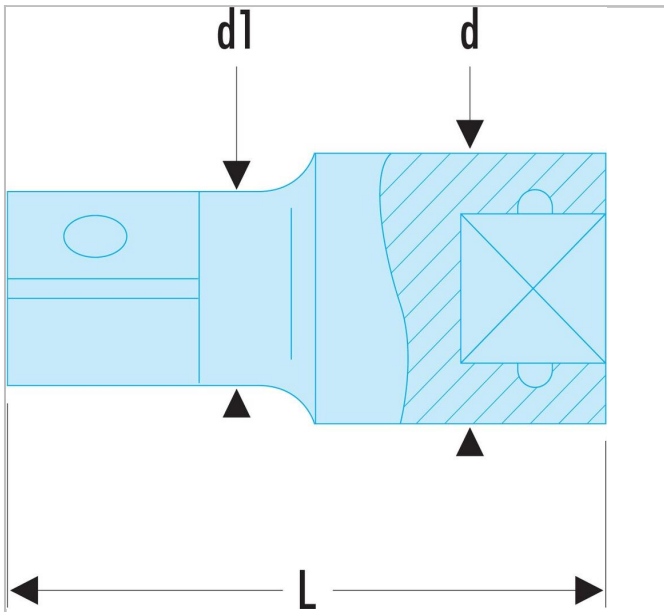
## S.215 | S - 1/2" drive extensions




**Standards:**  
NF ISO 3316, ISO 3316, DIN  
3123, ASME B107.10

**Description:**

- Finish: bright chrome.



 S.215	
Diameter [mm]	23.0
Diameter D1 [mm]	16.5
Length L [mm]	250.0
Square [in]	1/2
Weight [g]	420.0